

High-Limit LED must be installed as shown (lower 4 pins)

12V Light (White 2-Pin)

SYSTEM FUSE

RED INDICATOR LIGHT

HIGH-LIMIT

RED INDICATOR LIGHT

PUMP 1 FUSE

RED INDICATOR LIGHT

PUMP 2 FUSE

RED INDICATOR LIGHT

AIR/CIRC/OZ FUSE

RED INDICATOR LIGHT

PUMP 3 FUSE

RED INDICATOR LIGHT

ON

OFF

P101

P51

P31

P34

P90

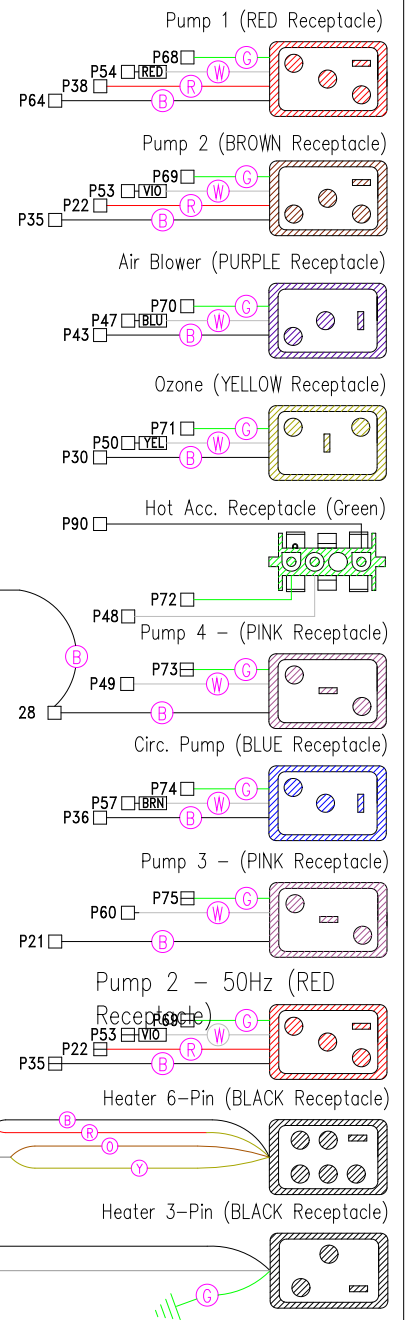
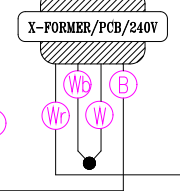
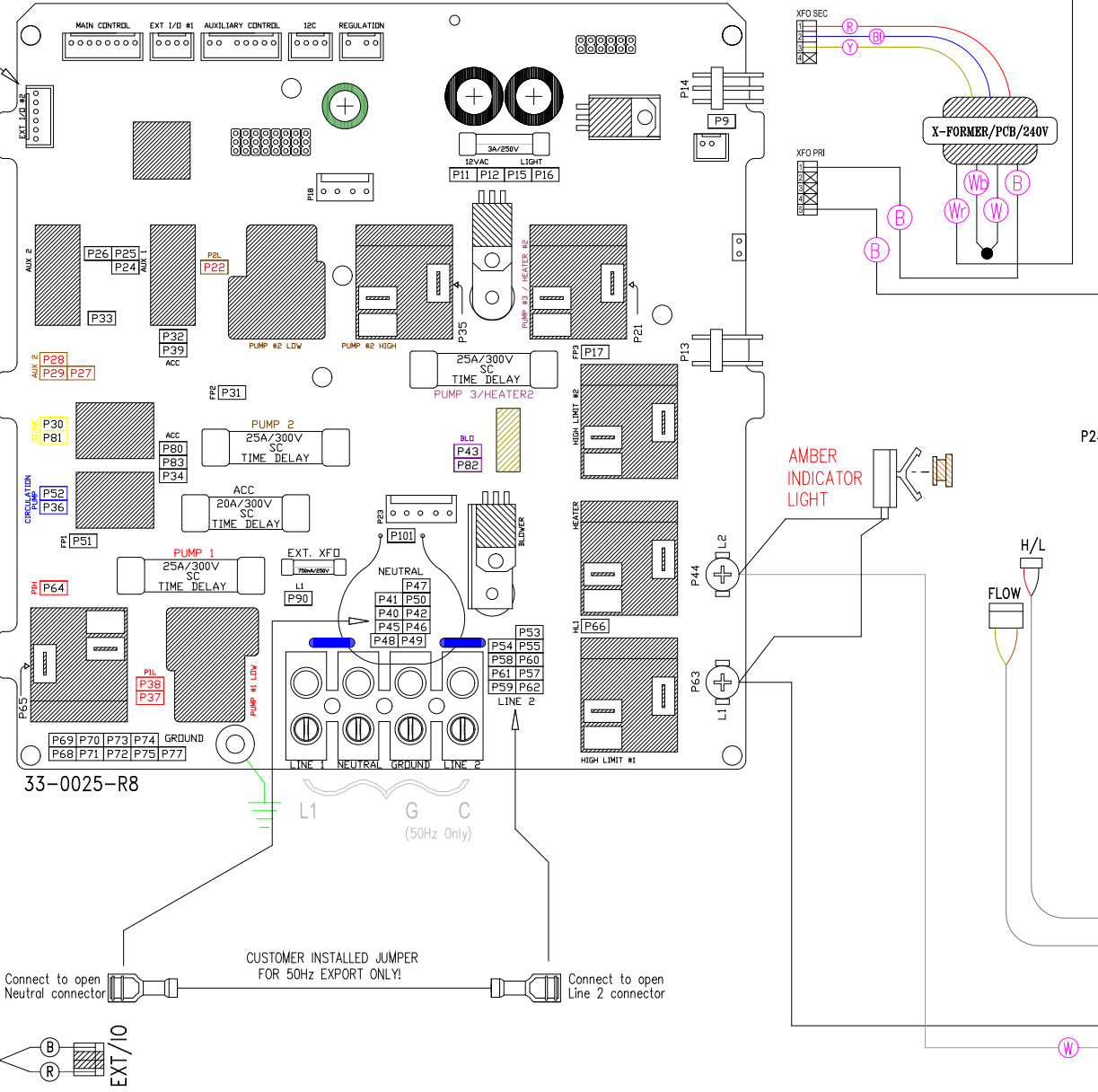
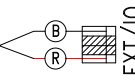
P17

33-0025-R8

Connect to open Neutral connector

CUSTOMER INSTALLED JUMPER FOR 50Hz EXPORT ONLY!

Connect to open Line 2 connector



HYDRO-QUIP
CORONA, CA (909) 273-7575

Manufacture Notes: EX: RED - DENOTES THE COLOR OF HEAT SHRINK USED.

A 50Hz jumper has been provided for quick conversion to 3-Wire, 240V for export models. Connecting this plug will result in the PCB Neutral becoming L2 (or Common). Hydro-Quip will not be held responsible for domestic mis-wire as a result of this connection.

Drawn BH	Rev 2	Wire Color Code B - Black G - Green Br - Brown Bl - Blue R - Red V - Violet O - Orange W - White Y - Yellow Gr - Gray
Date 06.05.07		
Diagram No. 4432		